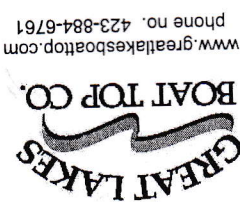


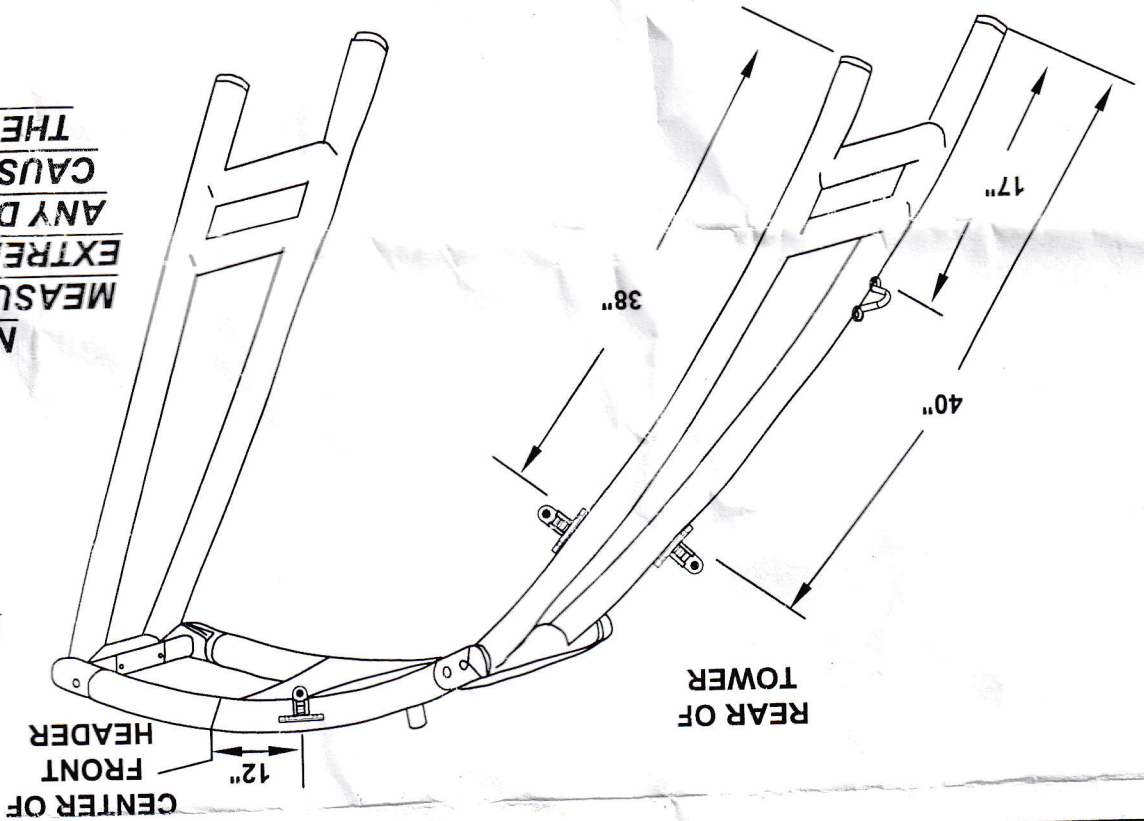
**GREAT LAKES BOAT TOP CO.**  
 OVER TOWER BIMINI TOP  
 MOUNTING INSTRUCTIONS



|                                            |                |                    |
|--------------------------------------------|----------------|--------------------|
| MT XLMTK NN1-3KS0AA<br>MT XLMTK NN1-3KS0AH | MONSTER MTK XL | 2021 MONSTER TOWER |
|--------------------------------------------|----------------|--------------------|

**NOTE:**  
 ROTATE EYE  
 ENDS IN TUBING  
 TO ALIGN WITH  
 MOUNTS AS  
 NEEDED.

**NOTE: ALL  
 MEASUREMENTS ARE  
 EXTREMELY CRITICAL.  
 ANY DEVIATION MAY  
 CAUSE DAMAGE TO  
 THE TOP & BOAT**



- 1) MEASURE 17" UP FROM BOTTOM OF REAR LEG TO BOTTOM HOLE OF REAR STRAP EYE. CENTER STRAP EYE ON BACK OF TOWER LEG
- 2) MEASURE 40" UP FROM BOTTOM OF REAR LEG TO BOTTOM HOLE OF REAR BOW 180 DEGREE SWIVEL MOUNT. CENTER MOUNT ON OUTSIDE OF TOWER LEG. PLACE TWISTKNOB IN MOUNT TOWARD OUTSIDE OF TOWER.
- 3) MEASURE 38" UP FROM BOTTOM OF FRONT TOWER LEG TO BOTTOM HOLE OF FRONT BOW 180 DEGREE SWIVEL MOUNT. CENTER MOUNT ON FRONT OF TOWER LEG. PLACE TWISTKNOB IN MOUNT TOWARD OUTSIDE OF TOWER.
- 4) MEASURE 12" OFF CENTER ON FRONT OF HEADER BAR TO CENTER OF FRONT SUPPORT POLE 180 DEGREE SWIVEL MOUNT. PLACE MOUNTS ON CENTER OF PIPE, FACING FRONT OF TOWER WITH ANGLE FACING DOWN AND TWISTKNOB ON BOTTOM SIDE.

**HARDWARE PACKAGED**

- 6 - 200831 DECK HINGE 180 SS
- 6 - 101180 BLACK TWISTKNOBS 1/4" - 20 X 1 1/4"
- 2 - 101060 STRAP EYES
- 12 - 100470 #10 X 3/4" PHIL FLAT TEK SCREW
- 4 - 100390 #8 X 3/4" PHIL FLAT TEK SCREWS

7/13/15  
 3/24/20